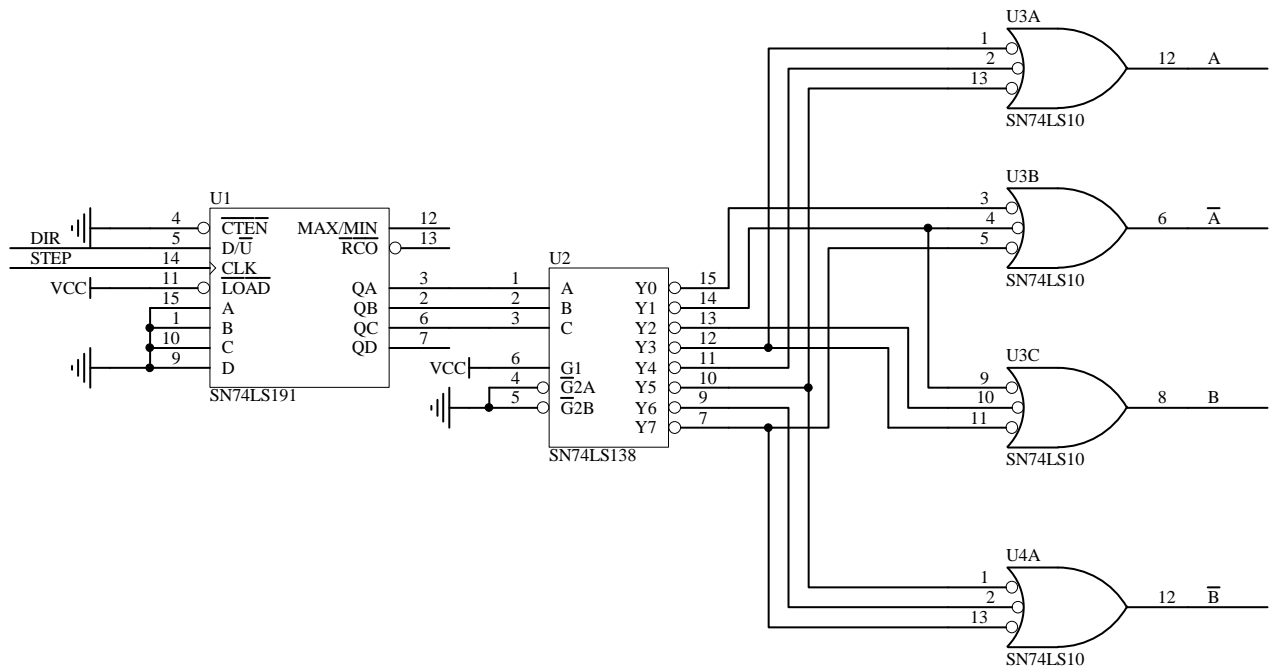


State	$\bar{A}$	$\bar{B}$	B
0	0	1	0
1	0	1	1
2	0	0	1
3	1	0	1
4	1	0	0
5	1	0	0
6	0	0	0
7	0	1	0



Title  
**Step-Direction to Phase converter (Half Step)**

Pico Systems  
543 Lindeman Rd.  
Kirkwood, MO 63122  
(314) 965-5523  
jmelson@artsci.wustl.edu



Size: A    Number:    Revision: A

File: SD-Half.Sch    Date: 25-Jan-2010    Time: 21:01:44    Sheet 1 of 1