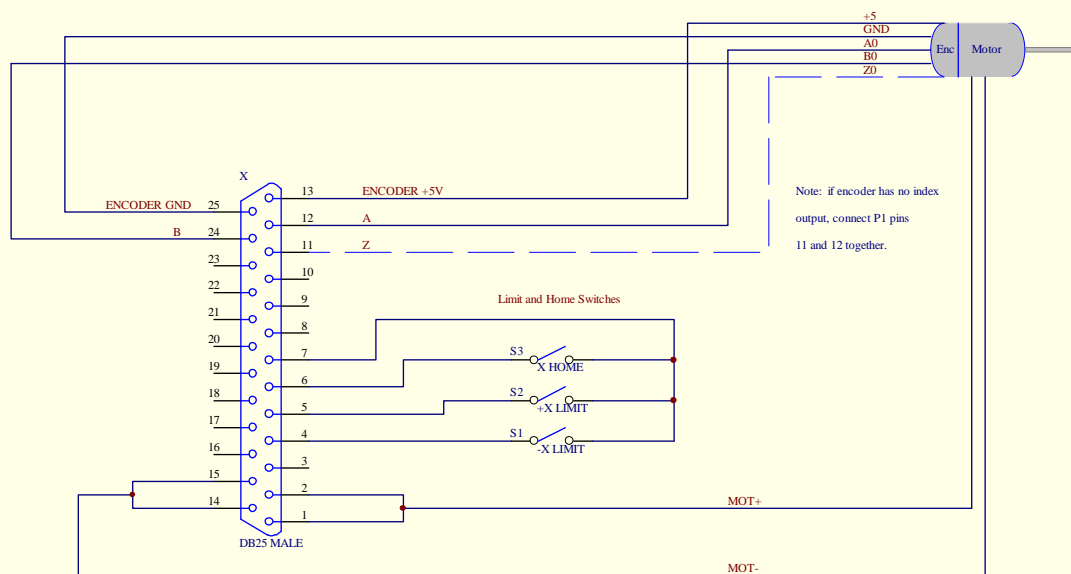


### Axis Wiring



### Auxiliary Wiring

